

ELMARK[®]

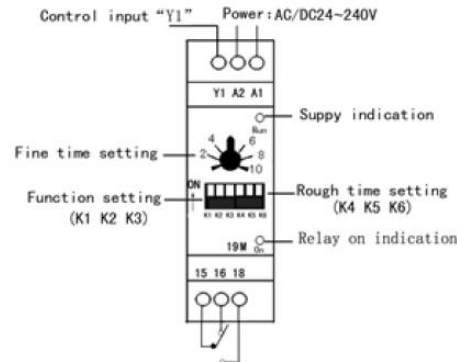
The Brand of Electricity

TIMER TE 19M



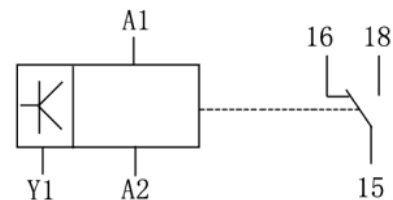
Description:

Timer is developed using modern technologies from quality and reliable materials and is adapted for mounting on DIN rail. It is used for providing time intervals in eight-time programs, which are assigned by combinations of the keys. There is an option for it to operate in time ranges (assigned by the keys K4, K5, K6): seconds, minutes or hours depending on the necessity of the user. Power contact up to 3A.



Technical data:

- Input voltage: 230V; 50Hz
- Range of setting: from 0.6 sec to 100 hours
- Accuracy of setting: $\pm 5\%$ from the whole scale
- Time for nullifying: <0.5 seconds
- Consumed capacity: < 5VA
- Electrical endurance (number of cycles): 100 000 cycles
- Mechanical endurance (number of cycles): 1 000 000 cycles
- Operation temperature: $-10 \div +65^{\circ}\text{C}$
- Humidity: 45 - 85%RH
- Computing option: up to 5A
- Indication:
 - on power supply: red indication
 - on operational output relay: green indication
- Weight: 150 gr.
- Time functions: according to the programming guide
- Mounting method: DIN rail



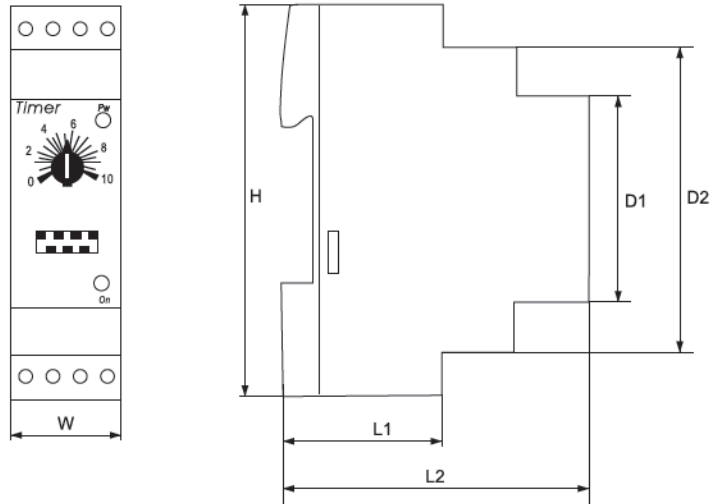
TECHNICAL SPECIFICATION

LIMIT SWITCHES

ELMARK[®]

The Brand of Electricity

Variants and Dimensions:



Type	Dimensions (mm)						Packing/Box (pcs)	Catalogue number
	H	W	H1	H2	L1	L2		
TE 19M	85	24	45	60	34	66	1/200	50102M

Time ranges:



TECHNICAL SPECIFICATION

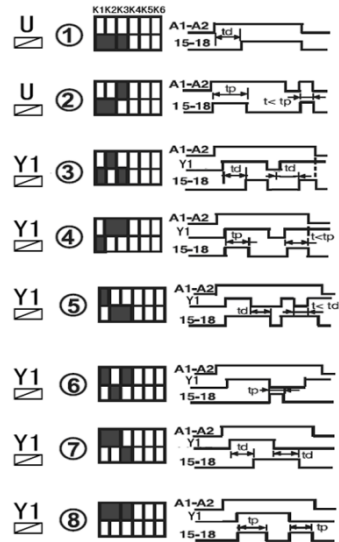
LIMIT SWITCHES

ELMARK[®]

The Brand of Electricity

Functions:

- ① DELAY ON
after energisation
- ② ON PULSE
after energisation
- ③ ON PULSE
(Trailing edge, signal start delay on)
- ④ ON PULSE
(Trailing edge, signal start relay on and delay off)
- ⑤ DELAY OFF
(Trailing edge, signal start)
- ⑥ OFF PULSE
(Trailing edge, signal start, relay on and delay off)
- ⑦ ON AND OFF PULSE
(signal start delay on and delay off)
- ⑧ ON AND OFF PULSE
(signal start relay on and delay off)



Standards

EN 61812

EN 60730-2-7

